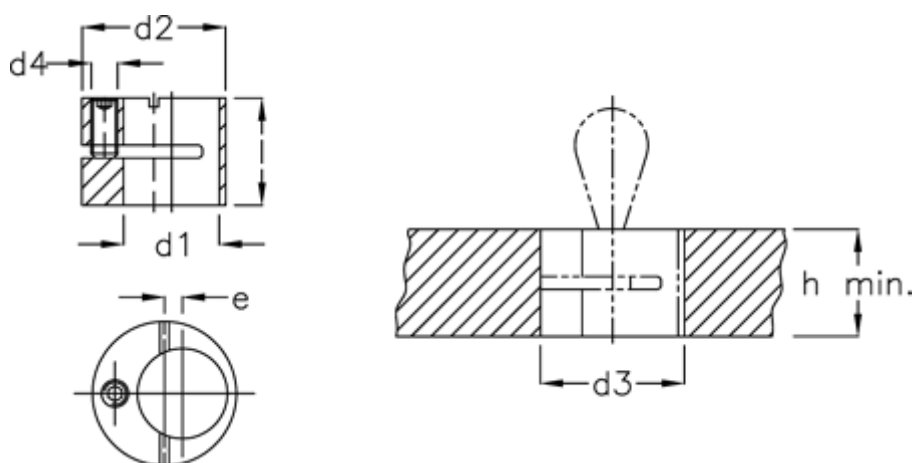


Article number: 20938016

Description: E+G
Eccentric bushing GN 715.2-16

Measures



d1	= 16
d2	= 25
d3	= 25
d4	= M6
e	= 3
For spring plunger	= 10
H min	= 18
l	= 17.9